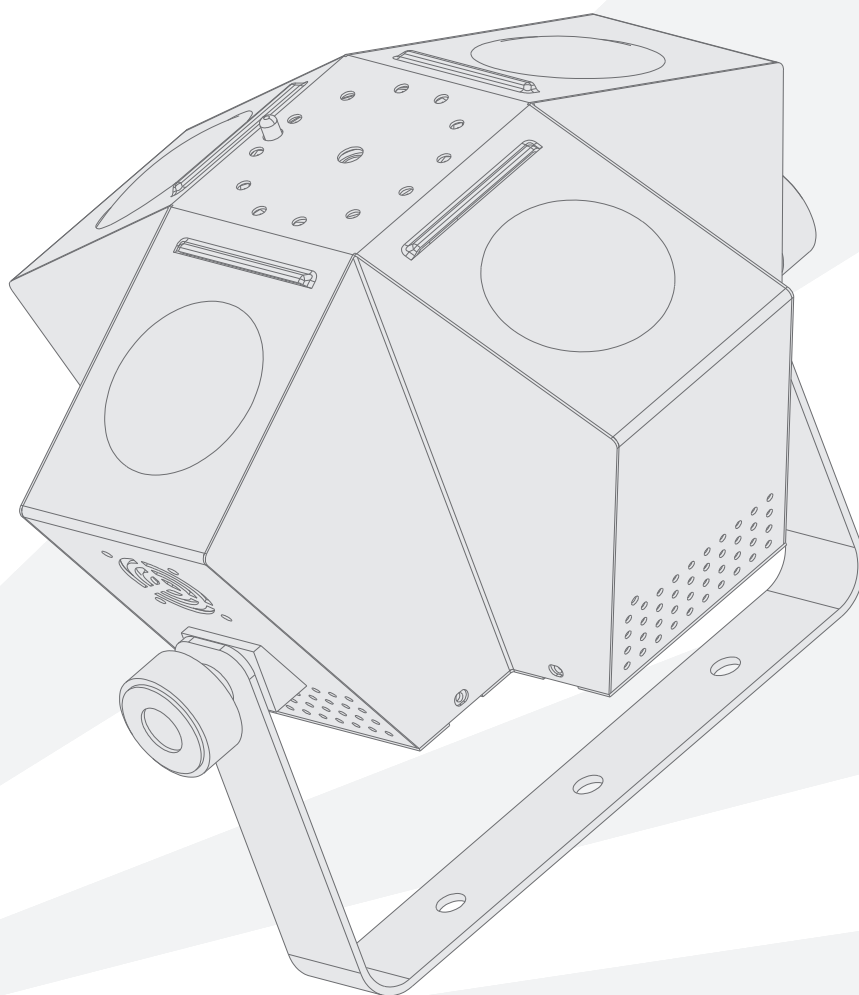


scandLIGHT

DJ LED Ruby USER MANUAL



Version 1.0

Art nr: 943564



Unpacking Instructions

Read Manual before Operation

Dear user,

Thanks for choosing our laser device, believing this brand new product will bring you unlimited marvel and happiness. Before operating this device, please read this manual thoroughly, and retain it for future reference.

Warning Data

Please note the warnings in bold which will ensure the safe and smooth operation. These warnings are important to a certain extent.



Attention! Indicates a skill or other useful information for special situations.



Important! Indicates important information to protect personnel from laser incident or injury.



Caution! Prevent damage or injury from incorrect operation.



Laser! Laser safety warning labels. .

Warning!

If the external flexible cable or cord of this luminaire is damaged, it shall be replaced by a special cord or cord exclusively available from the manufacturer or his service agent.

Shields, lenses or ultraviolet screens shall be changed if they have become visibly damaged to such an extent that their effectiveness is impaired, for example by cracks or deep scratches.

The lamps shall be changed if it has become damaged or thermally deformed.

Unpacking Instructions

As receiving a fixture, carefully unpack the carton, checking contents to ensure that all parts are in good condition. Informing the shipper immediately and retaining packing material for inspection if any parts damaged from shipping or device damaged. Keep packing materials as evidence for shipper's confirmation.



Attention!

This unit is in perfect condition before delivery; please check all accessories when unpacking the unit. User should follow this user manual to operate this unit, and make sure that you are clear on all laser safety information and unit operation before power it on. Any wrong operation will make this unit out of warranty.

Carefully move after receiving it, checking whether there is any damage from shipping, and all the accessories in it.

NAME	PCS
Laser Light +LED system	1
Power Cord	1
IR Remote controller	1
Keys(for key switch)	2
Interlock switch	1
User manual	1

Safety Instructions

Safety Instructions



To protect the environment, please try to recycle the packing material as much as possible.



The projector is for indoor use only, IP20. Use only in dry locations. Keep this device away from rain and moisture, excessive heat, humidity and dust. Do not allow contact with water or any other fluids, or metallic objects



Don't throw this product away just as general trash, please deal with the product follow the abandon electronic product regulation in your country.



Locate the fixture in a well ventilated spot, away from any flammable materials and/or liquids. The fixture must be fixed at least 20cm from surrounding walls

- ◆ To avoid condensation to be formed inside, allow this unit to adapt to the surrounding temperatures when bringing it into a warm room after transport.
- ◆ Condense sometimes prevents the unit from working at full performance or may even cause damages
- ◆ Don't install it on flammable object.
- ◆ Don not use it when maximum ambient temperature is higher than 40 degree,
- ◆ Unplug the unit when it is not used for a longer time or before replacing the bulb.
- ◆ Don't open the top cover to avoid unit damage.
- ◆ Please use the original packing when the device is to be transported.



Never expose the lens to direct sunlight, even for a short period, This may damage the light effect or even cause fire!

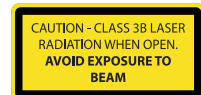
Laser Safety Warnings



According to EN 60825-1:2007, this product belongs to class 3R. Direct eye contact may cause injury.



- ◆ This product is for laser show only. The class 3R laser light should be operated by professional operator only.
- ◆ This is so-called show laser, emitting radiation with a wavelength spectrum between 400 and 700nm and producing lighting effects for shows.
- ◆ International laser safety regulations require that the vertical height from installment to ground is more than 3 meters, horizontal distance is 2.5 meters from audience.
- ◆ Never direct the laser beam to people or animals and never leave this device running unattended.
- ◆ The legal requirements for using laser entertainment products vary from country to country. The user is responsible for the legal requirements at the location/country of use.



Warning! Avoid direct eye contact with laser beams during operation, especially when the laser beams stay still, or injury to eyes may occur.



Laser Safety Protection Feature




Caution!The laser security measures are designed according to the specific terms of the relevant international laser safety standards and has the following laser safety protection means.

Laser key switch: laser is available only when the key is turned on.

Laser Emergency switch: remote connecting switch, it will cut off the laser light path emergently once the device in potential hazard;

Laser safety label : The labels of according with European standard are stucked on the device body.

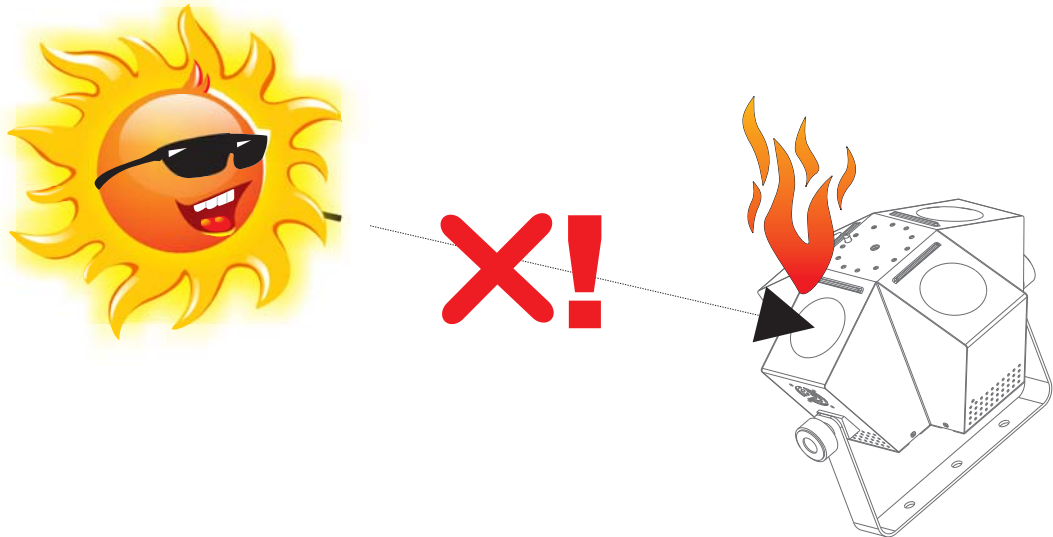
Overhead Rigging

 **Attention!** The installation must be carried out by qualified service personal only. Improper installation can result in serious injuries and /or damage to property. Overhead rigging required extensive experience! Working load limits should be respected, Certified installation materials should be used, the installed device should be inspected regularly for safety.

- ◆ Make sure the area below the installation place is free from unwanted persons during rigging, de-rigging and servicing.
- ◆ Locate the fixture in a well ventilated spot, far away from any flammable materials and/or liquids. The fixture must be fixed at least 50cm from surrounding walls
- ◆ The device should be installed out of reach of people and outside areas where persons may walk by or be seated.
- ◆ The device should be well fixed; a free swinging mounting is dangerous and may not be considered!
- ◆ Do not cover any ventilation opening as this may result in overheating
- ◆ Before the first time use, it must be inspected by professional staff to make sure safety, inspection regularly every year..

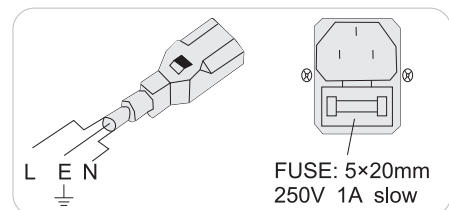


Never expose the lens to direct sunlight, even for a short period, This may damage the light effect or even cause fire!




AC Power

Please use the attached power, note that power voltage and frequency are the same as the marked voltage and frequency of device when connecting power. Every device's power should be connected separately, so that device can be controlled individually.



The power cord specification table:

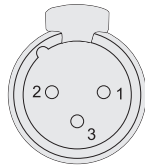
Cable(EU)	Cable(US)	Pin	International
Brown	Black	Live	L
Liht blue	White	Neutral	N
Yellow/Green	Green	Earth	

Overhead Rigging

DMX connection

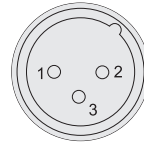
- ◆ Connection between laser lights and DMX must use the shield cable of diameter more than 0.5mm. Please use the attached 3 pin XLR plug/socket to connect the DMX output/input interface. The connection between socket and cable as below(note the plug/socket's 3 pin number and position).

DMX-output
XLR mounting-sockets (rear view):



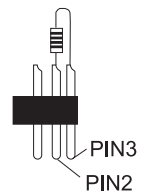
1-Shield
2-Shield (-)
3-Shield (+)

DMX-input
XLR mounting-plugs (rear view):

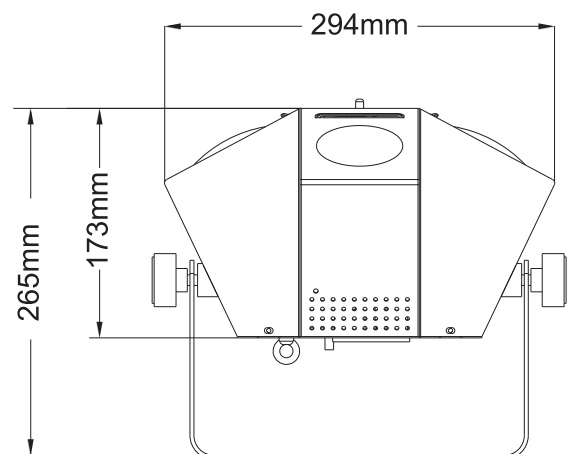
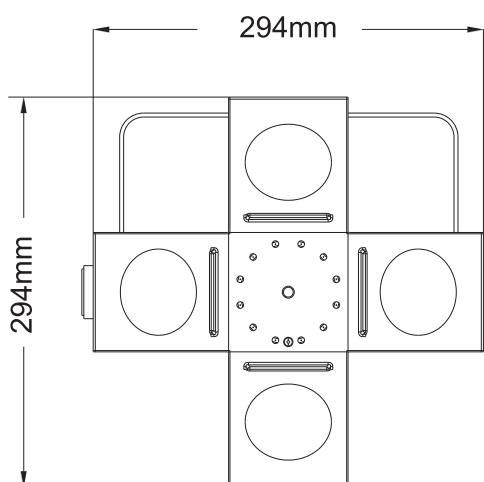


- ◆ Note, XLR plug/socket's 3pin can not be touched by inner hull, connection between pins is not allowed. Except above connection, XLR plug/socket can not be connected with XLR control line. Device receives international standard DMX512(1990) control signal.

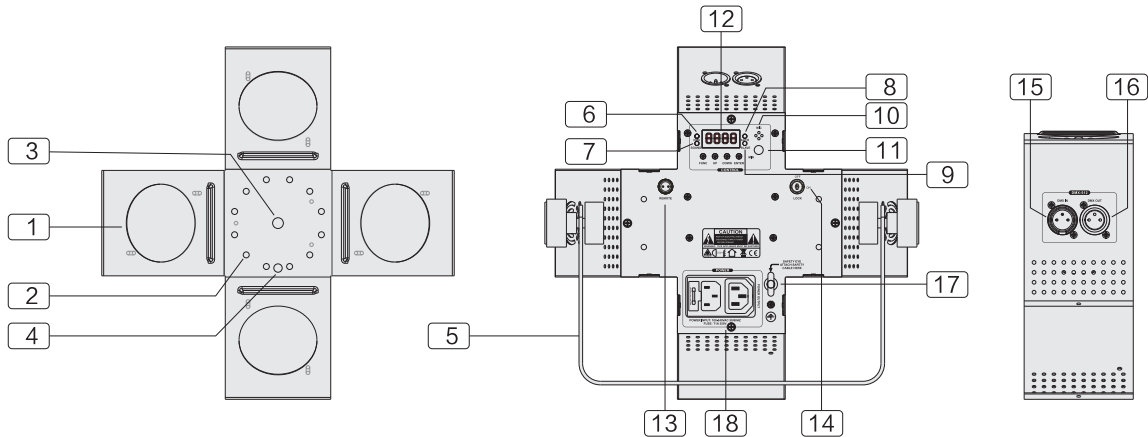
- ◆ When using standard DMX512 control signal, the last device's output interface must be connected to a DMX plug. This plug is putting a 120 ohm resistance between "canon" plug's 2 pin and 3 pin. Showing as below pic. Sticking this plug into the last device's signal output interface, it will avoid the interference during the process of signal transmission.



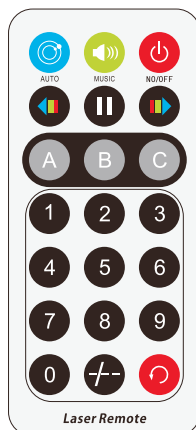
Mess



Operation instructions



NO	Name	Function
1	LED 5 colors output	4 × (RGBWY × 1W)
2	LED white color output	12 × 0.5W
3	Laser aperture	Laser show, do not look directly into the hole
4	Remote	The receiver of remote controller
5	Hanging bracket	For hang and angle adjustment
6	DMX indicator	In DMX model, red indicate light on after DMX connected
7	MUSIC indicator	In sound model, green indicate light on.
8	AUTO indicator	In Auto model, blue indicate light on.
9	SLAVE indicator	In slave model, orange indicate light on
10	Mic	Receiving sound signal
11	Potentiometer	Turn the knob to adjust the sound activated sensitivity
12	LED display	For setting model
13	Urgent and safe switch	Switch off the laser manually if error occurs
14	Key switch	Make sure the professional person use
15	DMX output	3PIN female XLR interface, for DMX communication
16	DMX input	3PIN male XLR interface, for DMX communication
17	Safety eye	Attach the safety cable
18	Power input	Power input socket, built-in protective tube and spare tube



Button	Function	Function Description
	ON/OFF	Power on/off, When power is on, press it to light on; press again to light off; circle as it
	Mix auto mode	Per click for different sets of Mix auto show(AM01-AM08)
	Mix sound mode	Per click for different sets of Mix sound show(SM01-SM08)
	PAR light auto mode	Per click for different sets of PAR light show(AP01-AP20)
	Laser light auto mode	Per click for different sets of laser light show(AL01-AL06)
	Flash light auto show	Per click for different sets of flash light show(AF01-AF10)
	Auto/Sound switching	Switching between auto mode and sound mode under A B C pattern
	Puse	Program or color change will be paused, no matter under auto mode or sound mode.
	Color changing	Selecting the color of PAR light
	Nmeric keys	Adjusting the speed of auto program

Menu operating instruction

Once after every power on laser, the VERSION and MANUFACTURE INFORMATION will be shown in LCD monitor of rear panel. When laser is powered on, LCD monitor on rear panel shows the current operating standalone mode or DMX address of DMX mode. With help of LCD control panel, is very easy to set and change the operating mode of laser. After every resetting and saved, the new mode information will be shown on LCD monitor at next power on.

- FUNC** Mode Option, to choose the operating mode of laser.
- ENTER** Confirmation, to confirm the laser to show the present mode at the next operation.
- UP** **DOWN** UP/DOWN, to change operating mode, parameter or DMX address.

LED display		Functional description
AUL	AULP → AP01-AP20	Par light auto show(AP01-AP20)
	AULF → AF01-AF10	LED strobe auto show(AF01-AF10)
	AULL → AL01-AL06	Auto laser(AL01-AL06)
	AULM → AM01-AM08	Mix auto show(AM01-AM08)
	S.01-5.99	Setting effect speed.01 is the slowest,99 is the fast
SOU	SOUNP → SP01-SP20	Par light sound show(SP01-SP20)
	SOUF → SF01-SF10	LED strobe sound show(SF01-SF10)
	SOUL → SL01-SL06	Sound laser(SL01-SL06)
	SOUNM → SM01-SM08	Mix sound show(SM01-SM08)
d**	3CH → d001-d510	Choosing DMX channel modes
	13CH → d001-d500	Setting channel address
SLA	SLAU	Enter into slave mode
SYS	LEDs → on/off	LED power-saving operation mode. ON:Turn on OFF:Turn off
	d, SP → d, SP/PS id	Mirror
	tEST	Aging test program
	rEST	Restore the factory initial setup

Initial setting

FUNC	UP DOWN	ENTER into speed choice	ENTER
Auto Built-in programs	AULP Par light auto show AULF LED strobe auto show AULL Auto laser AULM Mix auto show	UP/DOWN to choose display speed S 1 is slowest S 99 is fastest	confirm
Sound Built-in programs	SOUNP Par light auto show SOUF LED strobe auto show SOUL Auto laser SOUNM Mix auto show		
DMX mode	3CH(d001-d510) 13CH(d001-d500)	Press UP/DOWN to choose channels and addresses, press ENTER to confirm	
Slave	When choosing the SLAVE mode,through the DMX signal cable,the machine will follow the master's built-in program mode	If the letters are twinkling on the screen, that means the signal is not connected well, please check the cables.	
System setting	LED power-saving operation mode. ON:Turn on OFF:Turn off	Press UP/DOWN to choose channels and addresses, press ENTER to confirm	
	Mirror		
	Aging test program		
	Restore the factory initial setup		

DMX instructions



This device adopts large storage and high speed chip, which has been written lots of effect based on laser light DMX application. There are many kinds of model in channel one.

3CH

Channel	Value	Description				
CH1	000-009	Blackout				
	010-039	Par light auto show				
	040-069	LED strobe auto show				
	070-099	Auto laser				
	100-129	Mix auto show				
	130-159	Par light sound show				
	160-189	LED strobe sound show				
	190-219	Sound laser RG				
	220-255	Mix sound show				
CH2	Par light auto show	000-012	AP01	Par light sound show	000-012	SP01
		013-025	AP02		013-025	SP02
		026-038	AP03		026-038	SP03
		039-051	AP04		039-051	SP04
		052-064	AP05		052-064	SP05
		065-077	AP06		065-077	SP06
		078-090	AP07		078-090	SP07
		091-103	AP08		091-103	SP08
		104-116	AP09		104-116	SP09
		117-129	AP10		117-129	SP10
		130-142	AP11		130-142	SP11
		143-155	AP12		143-155	SP12
		156-168	AP13		156-168	SP13
		169-181	AP14		169-181	SP14
		182-194	AP15		182-194	SP15
		195-207	AP16		195-207	SP16
		208-220	AP17		208-220	SP17
		221-233	AP18		221-233	SP18
		234-246	AP19		234-246	SP19
		247-255	AP20		247-255	SP20
	LED strobe auto show	000-025	AF01	LED strobe sound show	000-025	SF01
		026-051	AF02		026-051	SF02
		052-077	AF03		052-077	SF03
		078-103	AF04		078-103	SF04
		102-129	AF05		102-129	SF05
		130-155	AF06		130-155	SF06
		156-181	AF07		156-181	SF07

DMX operation instructions

Channel	Value	Description					
CH2	LED strobe auto show	182-207	AF08	LED strobe sound show	182-207	SF08	
		208-233	AF09		208-233	SF09	
		234-255	AF10		234-255	SF10	
	Auto laser	000-042	AL01	Sound laser RG	000-042	SL01	
		043-085	AL02		043-085	SL02	
		086-128	AL03		086-128	SL03	
		129-171	AL04		129-171	SL04	
		172-214	AL05		172-214	SL05	
		215-255	AL06		215-255	SL06	
	Mix auto show	000-031	AM01	Mix sound show	000-031	SM01	
		032-063	AM02		032-063	SM02	
		064-095	AM03		064-095	SM03	
		096-127	AM04		096-127	SM04	
		128-159	AM05		128-159	SM05	
		160-191	AM06		160-191	SM06	
		192-223	AM07		192-223	SM07	
		224-255	AM08		224-255	SM08	
	CH3	000-255	Program speed setting				

CH13

Channel	Value	Description
CH1 (LED 1)	000-009	Blackout
	010-014	Red
	015-019	Green
	020-024	Blue
	025-029	Amber
	030-034	White
	035-039	White + red
	040-044	Red + green
	045-049	Green + blue
	050-054	Blue + amber
	055-059	Amber + white
	060-064	White + green
	065-069	Green + amber
	070-074	Amber + red
	075-079	Red + blue
	080-084	Blue + White
	085-089	Red + green + blue
	090-094	Red + green + amber
	095-099	Red + green + white
	100-104	Red + amber + blue

DMX operation instructions

Channel	Value	Description
CH1 (LED 1)	105-109	Red + white + blue
	110-114	Red + amber + white
	115-119	Amber + green + blue
	120-124	Blue + green + white
	125-129	Amber + green + white
	130-134	Amber + white + blue
	135-139	Red + green + blue + amber
	140-144	Red + white + blue + amber
	145-149	Red + green + white + amber
	150-154	Red + green + blue + white
	155-159	White + green + blue + amber
	160-164	Red + green + blue + amber + white
	165-209	Automatic(single colors only)
	210-255	Automatic(two colors at a time)
CH2	000-255	Automatic Speed(when CH1 is between 165-255) Slow-fast(only colors)
CH3 (LED 2)	000-009	Blackout
	010-014	Red
	015-019	Green
	020-024	Blue
	025-029	Amber
	030-034	White
	035-039	White + red
	040-044	Red + green
	045-049	Green + blue
	050-054	Blue + amber
	055-059	Amber + white
	060-064	White + green
	065-069	Green + amber
	070-074	Amber + red
	075-079	Red + blue
	080-084	Blue + White
	085-089	Red + green + blue
	090-094	Red + green + amber
	095-099	Red + green + white
	100-104	Red + amber + blue
	105-109	Red + white + blue
	110-114	Red + amber + white
	115-119	Amber + green + blue
	120-124	Blue + green + white

DMX operation instructions

Channel	Value	Description
CH3 (LED 2)	125-129	Amber + green + white
	130-134	Amber + white + blue
	135-139	Red + green + blue + amber
	140-144	Red + white + blue + amber
	145-149	Red + green + white + amber
	150-154	Red + green + blue + white
	155-159	White + green + blue + amber
	160-164	Red + green + blue + amber + white
	165-209	Automatic(single colors only)
	210-255	Automatic(two colors at a time)
CH4	000-255	Automatic Speed(when CH3 is between 165-255) Slow-fast(only colors)
CH5 (LED 3)	000-009	Blackout
	010-014	Red
	015-019	Green
	020-024	Blue
	025-029	Amber
	030-034	White
	035-039	White + red
	040-044	Red + green
	045-049	Green + blue
	050-054	Blue + amber
	055-059	Amber + white
	060-064	White + green
	065-069	Green + amber
	070-074	Amber + red
	075-079	Red + blue
	080-084	Blue + White
	085-089	Red + green + blue
	090-094	Red + green + amber
	095-099	Red + green + white
	100-104	Red + amber + blue
	105-109	Red + white + blue
	110-114	Red + amber + white
	115-119	Amber + green + blue
	120-124	Blue + green + white
	125-129	Amber + green + white
	130-134	Amber + white + blue
	135-139	Red + green + blue + amber
	140-144	Red + white + blue + amber

DMX operation instructions

Channel	Value	Description
CH5 (LED 3)	145-149	Red + green + white + amber
	150-154	Red + green + blue + white
	155-159	White + green + blue + amber
	160-164	Red + green + blue + amber + white
	165-209	Automatic(single colors only)
	210-255	Automatic(two colors at a time)
CH6	000-255	Automatic Speed(when CH5 is between 165-255) Slow-fast(only colors)
CH7 (LED 4)	000-009	Blackout
	010-014	Red
	015-019	Green
	020-024	Blue
	025-029	Amber
	030-034	White
	035-039	White + red
	040-044	Red + green
	045-049	Green + blue
	050-054	Blue + amber
	055-059	Amber + white
	060-064	White + green
	065-069	Green + amber
	070-074	Amber + red
	075-079	Red + blue
	080-084	Blue + White
	085-089	Red + green + blue
	090-094	Red + green + amber
	095-099	Red + green + white
	100-104	Red + amber + blue
	105-109	Red + white + blue
	110-114	Red + amber + white
	115-119	Amber + green + blue
	120-124	Blue + green + white
	125-129	Amber + green + white
	130-134	Amber + white + blue
	135-139	Red + green + blue + amber
	140-144	Red + white + blue + amber
	145-149	Red + green + white + amber
	150-154	Red + green + blue + white
155-159	White + green + blue + amber	
160-164	Red + green + blue + amber + white	

DMX operation instructions/Product parameter

Channel	Value	Description
CH7 (LED 4)	165-209	Automatic(single colors only)
	210-255	Automatic(two colors at a time)
CH8	000-255	Automatic Speed(when CH7 is between 165-255) Slow-fast(only colors)
CH9	000-255	Strobe show
CH10	000-255	Show speed
CH11 LASER	000-009	Blackout
	010-049	Red
	050-089	Green
	090-129	Red & Green
	130-169	Red on & Green strobe
	170-209	Green on & Red strobe
	210-255	Red & Green(alternate strobe)
CH12 LASER	000-009	No function
	010-254	Strobe (slow-fast) (upto 30Hz)
	255-255	Strobe actived by sound
CH13 LASER	000-004	Stop
	005-127	Rotate Clockwise, slow to fast
	128-133	stop
	134-255	Rotate Anticlockwise, slow to fast

Product parameter

Model	Scandlight DJ LED Ruby			
Mess	294 × 173 × 294MM			
Weight	3.6Kg			
Power input				
Power type	Switch power(international)			
Range	100-240V 50/60Hz			
Rated consumption	66W			
Fuse	1A			
Light source				
Class	Class 3R			
Power	R 100mW 650nm		G 30mW 532nm	
LED Quantity/Color	4 × (1R/1G/1B/1W/1A)LED		12 × Strobe LED	
LED power rate	1W		0.5W	
Stepping motor	5V			
Work environment				
Max	104° F (40°C)			
Coll system	Fan			
Control				
Auto show	LED Auto: 20	LED Strobe: 10	Laser Auto: 10	8 Auto shows
Sound show	LED Sound: 20	LED Strobe: 10	Laser Sound: 10	8 Sound shows
Channel	3CH/13CH			